

Technical data sheet

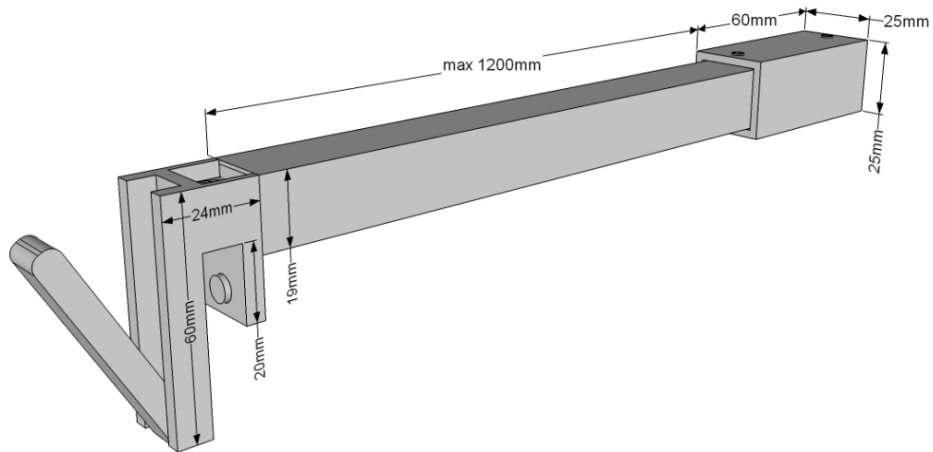


Descriptions	Product Line	212 Wall Concept Modulo Design			
	Description	2- or 3-part freestanding fixed panel			
	Mounting possibilities	Can be installed individually Can be combined with 213			
	Turning direction	Not possible			
Measurements	Article	Width/ effective width	Height	Left/Right	
	2-part				
	212 001 000 ###	800 mm / 770 mm	2000 mm	Left/Right	
	212 002 000 ###	900 mm / 870 mm	2000 mm	Left/Right	
	212 003 000 ###	1000 mm / 970 mm	2000 mm	Left/Right	
	212 004 000 ###	1100 mm / 1070 mm	2000 mm	Left/Right	
	212 005 000 ###	1200 mm / 1170 mm	2000 mm	Left/Right	
	212 006 000 ###	1300 mm / 1270 mm	2000 mm	Left/Right	
	212 007 000 ###	1400 mm / 1370 mm	2000 mm	Left/Right	
	* 212 021 000 ### *	200 mm - 1400 mm	up to 2000 mm	Left/Right	
	3-part				
	212 008 000 ###	1500 mm / 1470 mm	2000 mm	Left/Right	
	212 009 000 ###	1600 mm / 1570 mm	2000 mm	Left/Right	
	212 010 000 ###	1700 mm / 1670 mm	2000 mm	Left/Right	
	212 011 000 ###	1800 mm / 1770 mm	2000 mm	Left/Right	
212 012 000 ###	1900 mm / 1870 mm	2000 mm	Left/Right		
212 013 000 ###	2000 mm / 1970 mm	2000 mm	Left/Right		
* 212 022 000 ### *	1400 mm - 2000 mm	up to 2000 mm	Left/Right		
Customisation	made to measure per mm, max. width 2000 mm, max. height 2000 mm 2- part or 3-part contain equal glass parts				
Chamfers	Not possible				
Glass	Type of glass	6 mm toughened safety glass (norm NBN 23-002, klasse NBN EN 12600)			
	Kinds of glass	101 Transparent	105 Bronze	114 Crepi	
		102 Opal mat	106 Gris	119 Opal white	
		104 Extra transparent	107 Green		
Glass treatments	109 Aquaclean	110 Zone intime	111 Zone à la carte		
Finishing	Characteristics	1 Wall Profile and intermediate profile			
	Finishings	Shiny (011), Black matte (099)			
	Stabilisation bar	stabilisation bar at 90° - maximum length 1200 mm			
Service	Measuring	Possible with price supplement			
	Mounting	Possible with price supplement			
	Mounting instructions	Available			
Technical details	Advice	Standard: width is the width of glass + profile			
		Customized: we adapt the glass to your demand. This is from tile to the end of the glass			
		A profile or glass should always be put on the tiles. If not, this can give issues on watertightness			
		Keep dimensions and weight of the glass in mind when preparing. Can the glass be brought into the bathroom?			

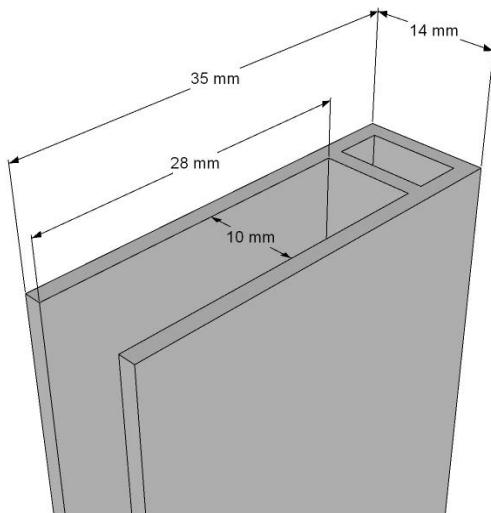
Technical data sheet parts

212 Wall Concept Modulo

Stabilisation bar



Wall Profile



Intermediate profile

