

Technical data sheet



Description	Name
	Line
	Descriptions
	Mounting instructions
Measurements	Turning direction
	Article
	210 030 000 ### 101 109
	210 050 000 ### 101 109
	210 060 000 ### 101 109
	210 070 000 ### 101 109
	210 008 000 ### 101 109
	210 009 000 ### 101 109
	210 001 000 ### 101 109
	210 014 000 ### 101 109
	210 002 000 ### 101 109
	210 015 000 ### 101 109
	210 003 000 ### 101 109
	210 016 000 ### 101 109
	210 004 000 ### 101 109
	210 017 000 ### 101 109
	210 005 000 ### 101 109
	Other types of glass
	210 008 001 ###
	210 009 001 ###
210 001 001 ###	
210 002 001 ###	
210 003 001 ###	
210 004 001 ###	
210 005 001 ###	
210 006 001 ###	
210 007 001 ###	
* Custom made *	
210 110 000 ###	
210 108 000 ###	
210 109 000 ###	
210 101 000 ###	
210 102 000 ###	
210 103 000 ###	
210 104 000 ###	
210 105 000 ###	
210 106 000 ###	
210 107 000 ###	
Custom made	
Chamfers	
Glass	Glass description
	Type of glass ###
Finishing	Characteristics
	Finishing ###
Service	Stabilisation bar
	Measuring
	Mounting
	Mounting instructions

210 Wall Concept
Design
 Single fixed panel against the wall
 Can be installed freestanding.
 Can be combined with 210/ 215/ 228
 Not possible

Stock transparent 101 +
AquaClean

Width/ effective size	Hoogte	Left/Right
300 mm / 270 mm	2000 mm	Left/Right
500 mm / 470 mm	2000 mm	Left/Right
600 mm / 570 mm	2000 mm	Left/Right
700 mm / 670 mm	2000 mm	Left/Right
800 mm / 770 mm	2000 mm	Left/Right
900 mm / 870 mm	2000 mm	Left/Right
1000 mm / 970 mm	2000 mm	Left/Right
1100 mm / 1070 mm	2000 mm	Left/Right
1200 mm / 1170 mm	2000 mm	Left/Right
1300 mm / 1270 mm	2000 mm	Left/Right
1400 mm / 1370 mm	2000 mm	Left/Right
1500 mm / 1470 mm	2000 mm	Left/Right
1600 mm / 1570 mm	2000 mm	Left/Right
1700 mm / 1670 mm	2000 mm	Left/Right
1800 mm / 1770 mm	2000 mm	Left/Right

Width/ effective size	Height	Left/Right
800 mm / 770 mm	2000 mm	Left/Right
900 mm / 870 mm	2000 mm	Left/Right
1000 mm / 970 mm	2000 mm	Left/Right
1200 mm / 1170 mm	2000 mm	Left/Right
1400 mm / 1370 mm	2000 mm	Left/Right
1600 mm / 1570 mm	2000 mm	Left/Right
1800 mm / 1770 mm	2000 mm	Left/Right
2000 mm / 1970 mm	2000 mm	Left/Right
2200 mm / 2170 mm	2000 mm	Left/Right

Width	Height	Left/Right
up to 600 mm	up to 2000 mm	Left/Right
601 mm-800 mm	up to 2000 mm	Left/Right
801 mm-900 mm	up to 2000 mm	Left/Right
901 mm-1000 mm	up to 2000 mm	Left/Right
1001 mm-1200 mm	up to 2000 mm	Left/Right
1201 mm-1400 mm	up to 2000 mm	Left/Right
1401 mm-1600 mm	up to 2000 mm	Left/Right
1601 mm-1800 mm	up to 2000 mm	Left/Right
1801 mm-2000 mm	up to 2000 mm	Left/Right
2001 mm-2200 mm	up to 2000 mm	Left/Right

Width possible up to 2200mm per mm, extra height = price supplement
 Not possible

8 mm toughened safety glass (norm NBN 23-002, klasse NBN EN 12600)

101 Transparant	108 Blue	119 Opal white
102 Opal mat	114 Crepi	120 Opal Black
104 Extra transparant	115 Cathedral	125 Opal bronze
105 Bronze	116 Ribble	126 Opal gris
106 Gris	118 Black	121 Mirror
107 Green		
109 AquaClean	110 Zone intime	111 Zone à la carte
112 Print		

1 profile against the wall
 Shiny(011), Matte (001), Black Matte (099), White Matte (088), Optic Gun Grey (077), Optic Brushed Nickel (023), Optic Brushed Champagne (034)
 Stabiisation bar 90°

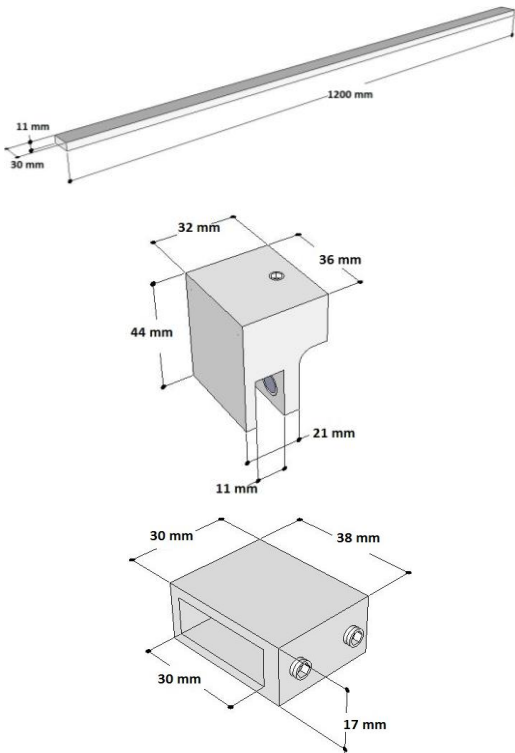
Possible with price supplement
 Possible with price supplement
 Available

Standard: width is the width of glass + profile
Customized: we adapt the glass to your demand. This is from tile to the end of the glass
 U-shaped profile gives +3,5 mm / -3,5 mm flexibility
 A profile or glass should always be put on the tiles.
 If not, this can give issues on watertightness
 Keep dimensions and weight of the glass in mind when preparing.
 Can the glass be brought into the bathroom?

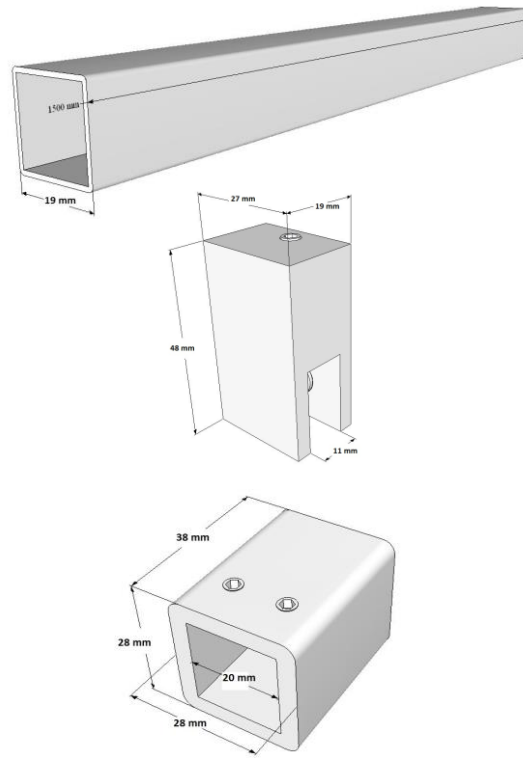
Technical data sheet: Parts

210 Wall Concept

Stabilisation bar



stabilisation bar (099)



Wall Profile

