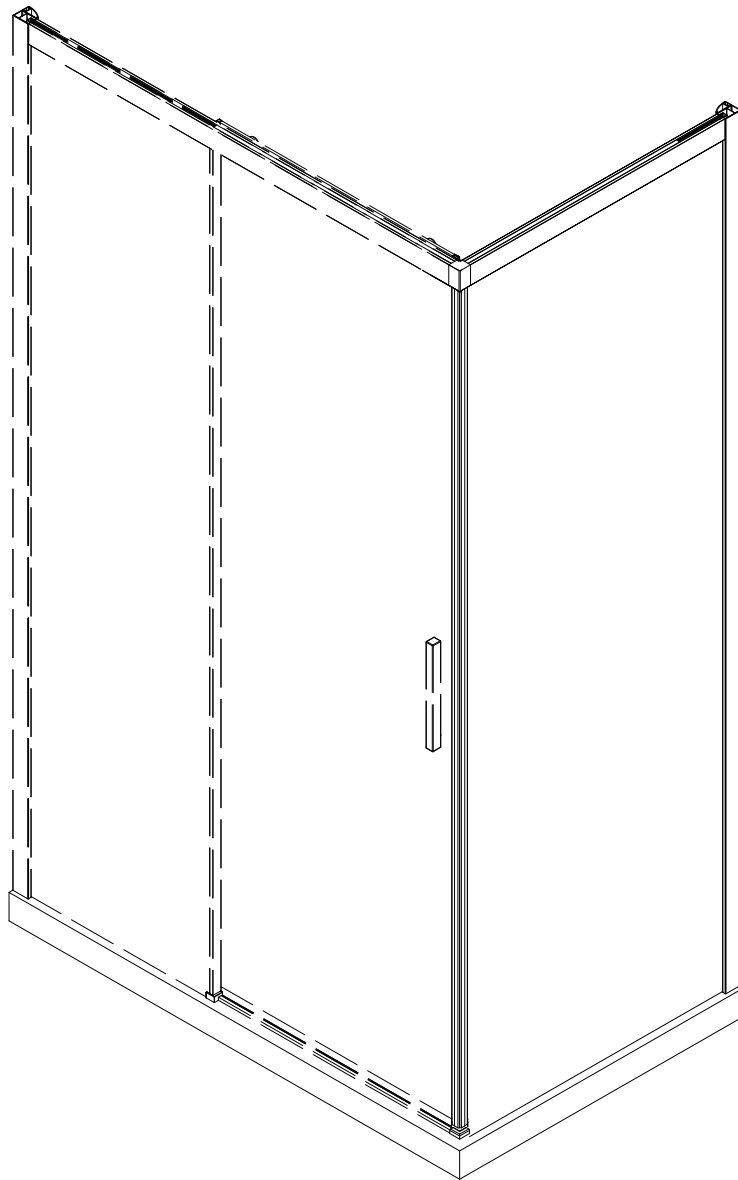


SLIDE LIGHT X19 SIDE PANEL INSTALLATION MANUAL



X19.001 X19.002 X19.003

Assembly and installation guide

Before you start: ATTENTION

Please read these instructions through carefully before you start the installation. Incorrect product installation may result in serious product failure which will not be covered under your guarantee.


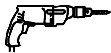

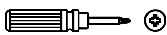
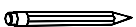
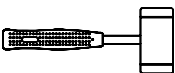
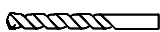




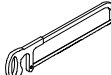
The wall profiles are designed to allow for 20mm adjustment when fitted to out of true walls. The thickness of the tiles used will affect the overall position of the assembly in situ.

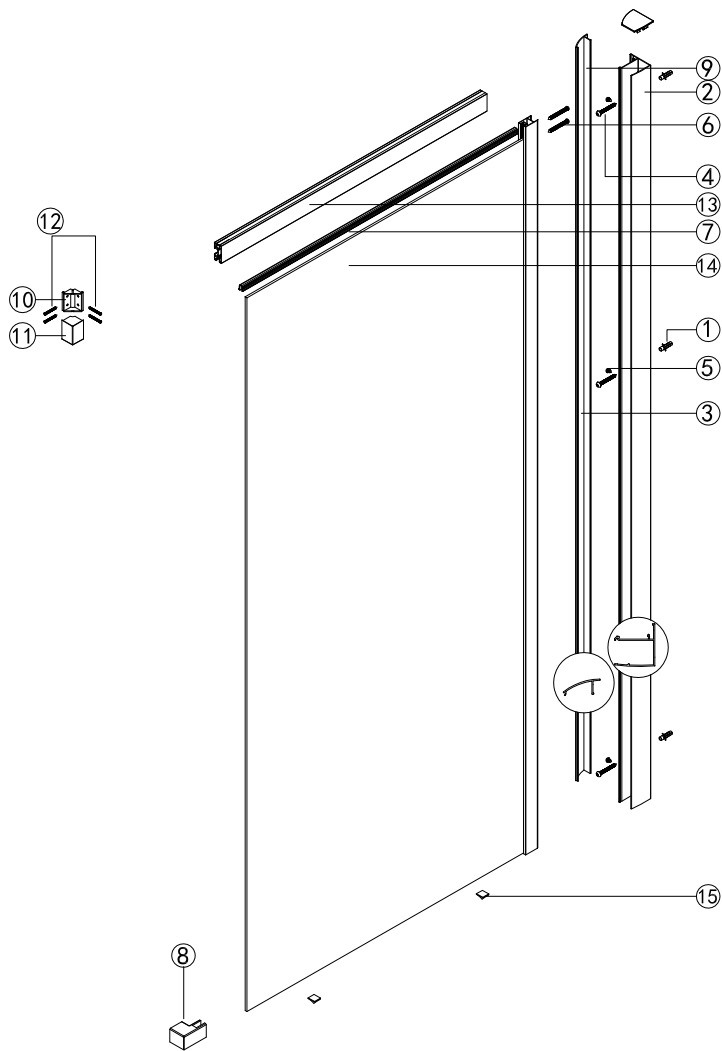
Check the number of components to ensure you have all the parts listed and make sure you have the right tools to hand.

Two people are required for certain parts of the assembly and it is always recommended that a technically competent installer should undertake the installation.

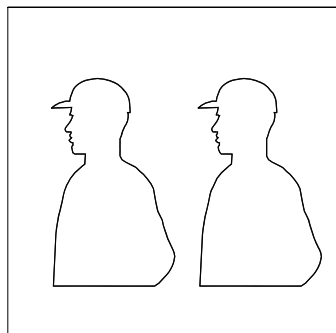
Ensure that the enclosure is fitted to a level base. The wall plugs included with this product are suitable only for solid walls. Plasterboard or stud walls may require specialized fixings which are not provided. Handle all glass components with extreme care avoiding any damage to the corners and edges which may cause it to shatter.













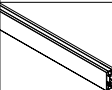
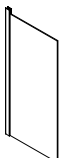

TOOLS REQUIRED

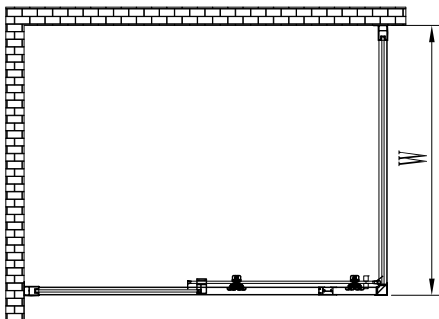
DESCRIPTION	PART IMAGE	DESCRIPTION	PART IMAGE
Tape measure		Drill	
Spirit level		Cross head screwdriver	
Pencil		Mallet	
Ø6mm Drill bit		Silicone sealant	
Ø3mm Drill bit		Gloves	
Protection eyeglasses		Hacksaw	



Two person assembly



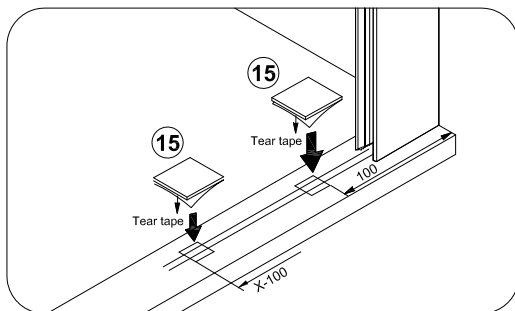
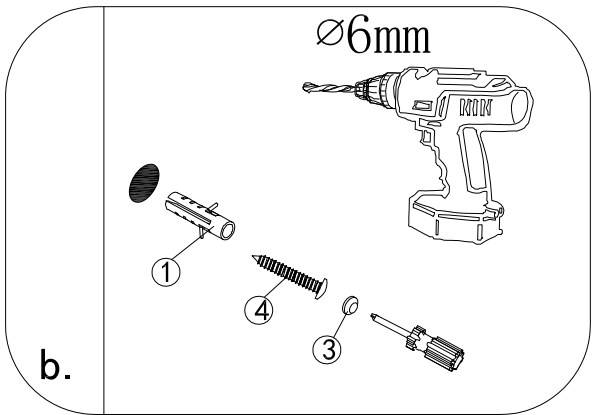
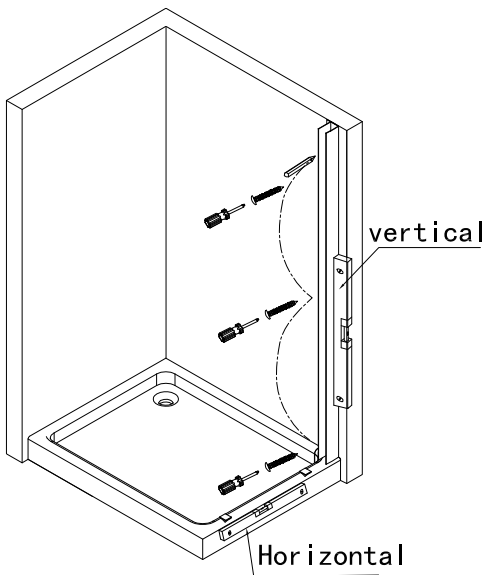
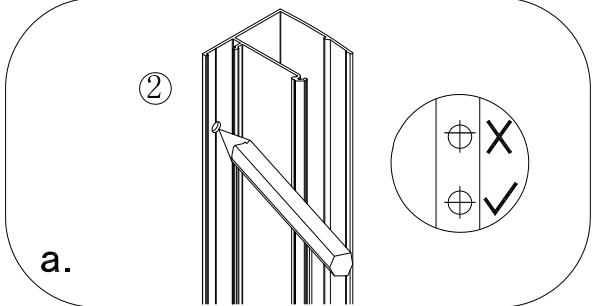
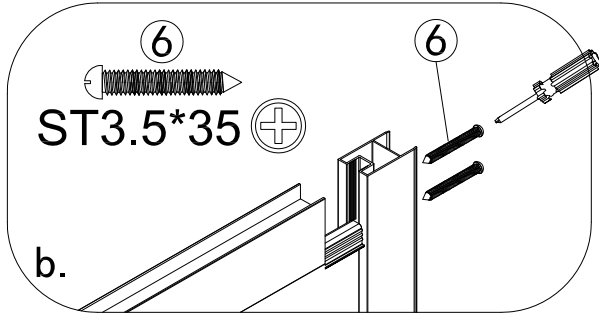
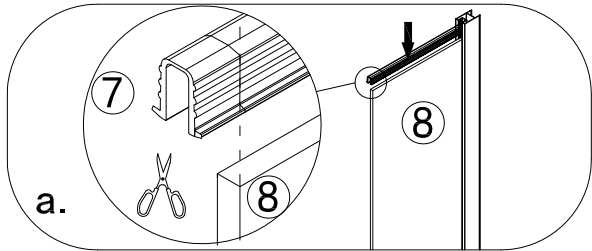
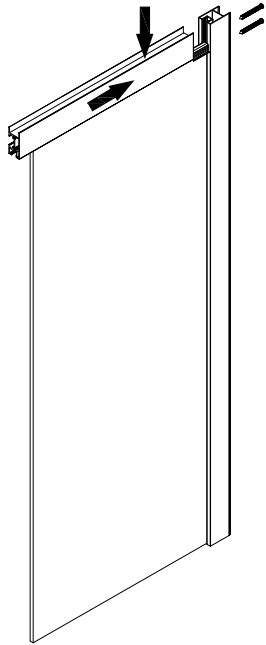
NO.	Item	Qty
1	 $\phi 6$	x3
2		x1
3		x1
4	 \oplus ST4*35	x3
5	 \oplus ST4*8	x3
6	 \oplus ST3.5*35	x2
7		x1
8		x1
9		x2
10		x1
11		x1
12	 \oplus ST3.5*35	x4
13		x1
14		x1
15		x2



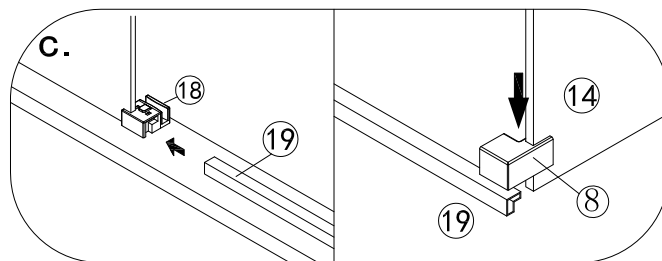
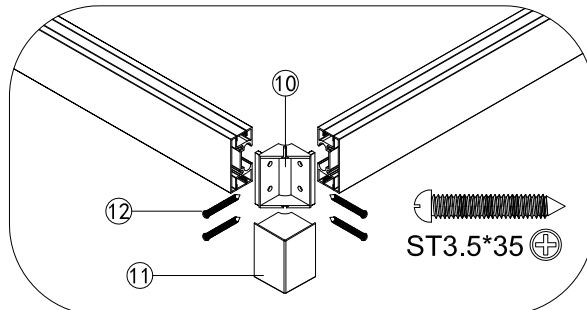
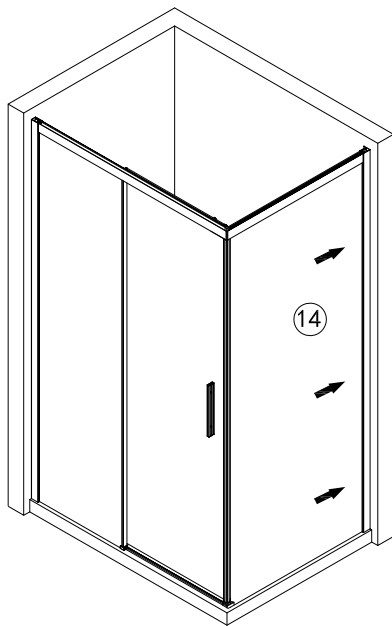
Profile Adjustments

Models	Min-Max W mm
800	770-695
900	870-895
1000	970-995

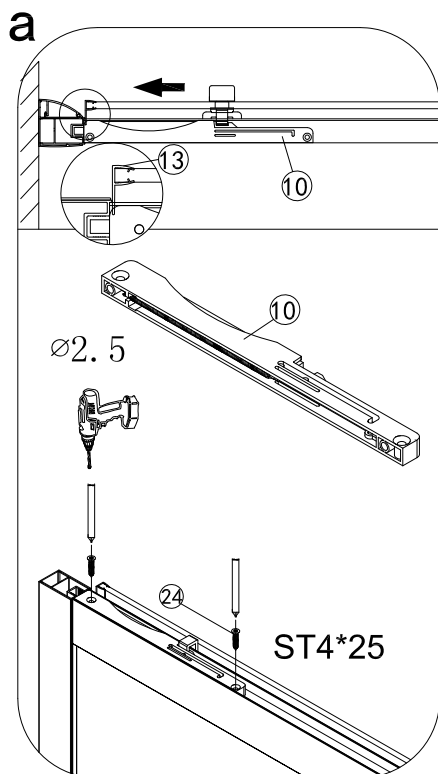
1. Install the wall jamb



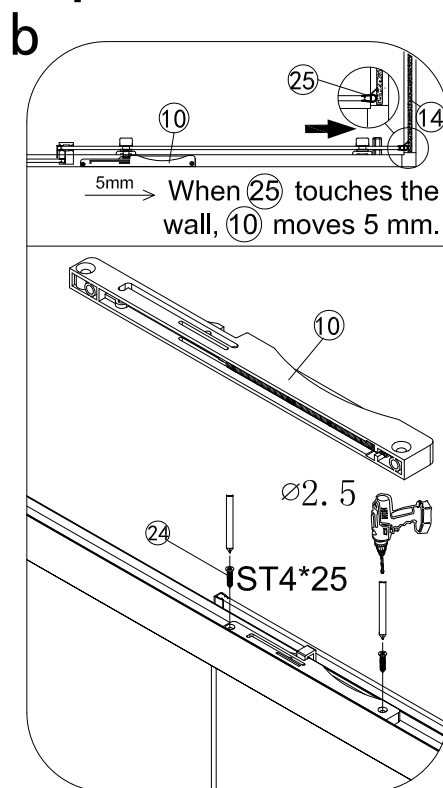
2. Install the side panel



3. Install the soft glide piston stops

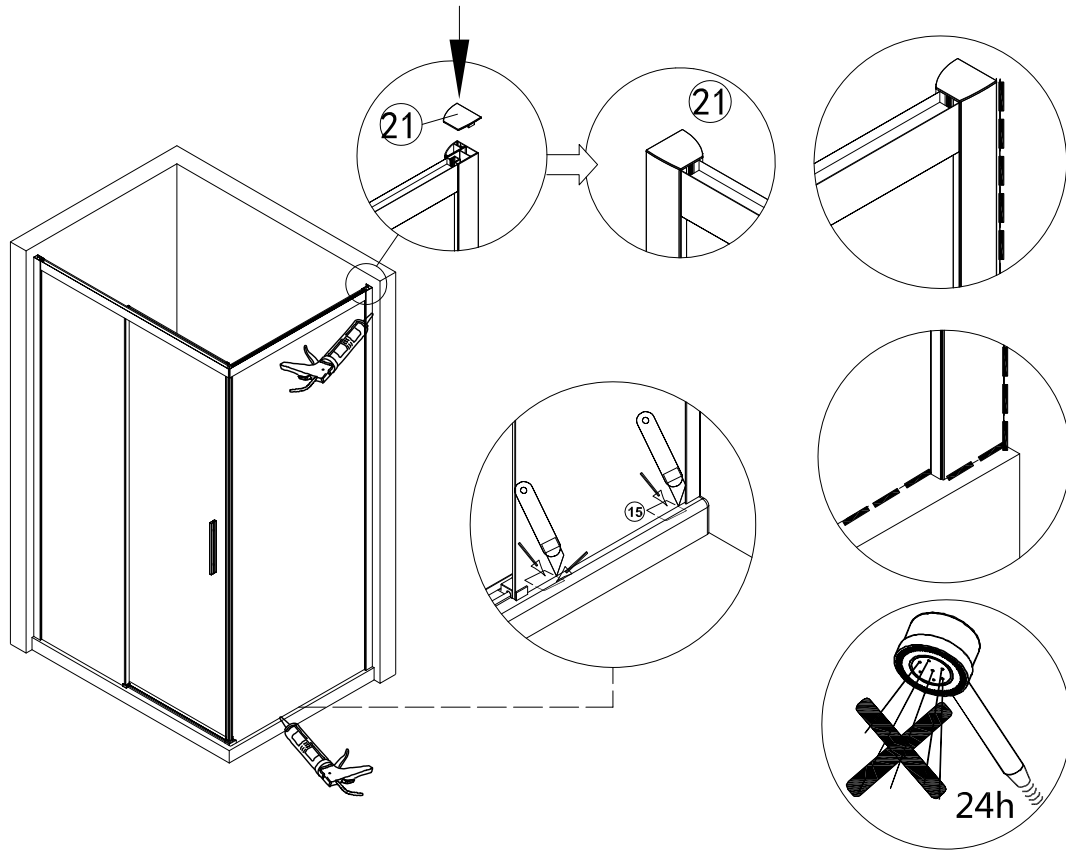


The first piston is located on the top of the fixed glass profile frame at the wall end as shown.



As shown, the second piston is located at the top of the fixed glass profile frame, located at (25) against the glass

4. Allow 24 hours for Silicone to dry before use Silicone on the outside edge only as shown



CARE AND MAINTANENCE :

It is important that you clean your shower enclosure after every use.

Soapy water is adequate to keep the glass clean however glass cleaner can be used if required. In hard water areas, insoluble lime scale may be deposited on the glass. If this is allowed to build up it becomes increasingly difficult to remove. Regular cleaning will minimise this effect.

NEVER use abrasive products or strong chemical cleaners on the glass.

Silicone spray may be used to lubricate rollers, hinges and other moving parts