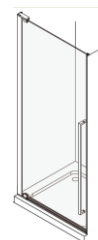


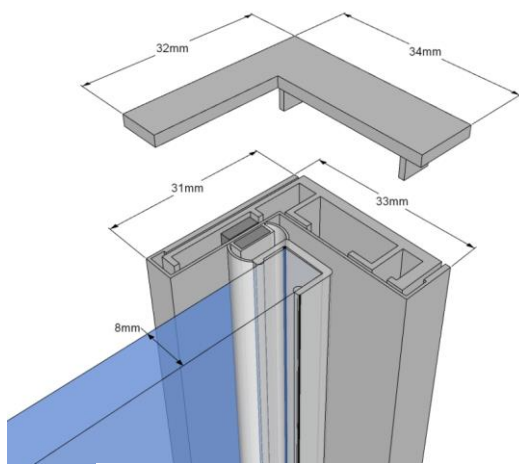
Technical data sheet



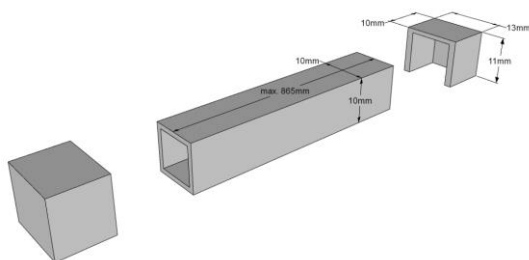
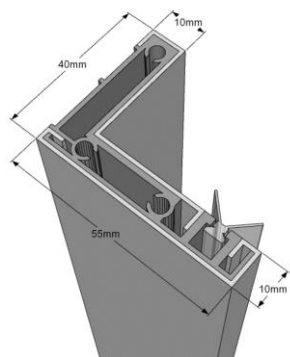
Descriptions	Name	471 Focus Nis			
	Line	Design			
	Descriptions	Swinging door at 90°			
	Mounting possibilities	Has to be installed between 2 walls			
Measurements	Turning direction	90° outwards			
	Article				
	Stock transparent glass	Width / niche size	Height	Entry	Left/Right
	471 001 000 ### 101 000	800 mm / 765-795 mm	2000 mm	640 mm	Left/Right
	471 002 000 ### 101 000	900 mm / 865-895 mm	2000 mm	740 mm	Left/Right
	471 003 000 ### 101 000	1000 mm / 965-995 mm	2000 mm	840 mm	Left/Right
	Different types of glass	Width / niche size	Height	Entry	Left/Right
	471 001 001 ###	800 mm / 765-795 mm	2000 mm	640 mm	Left
	471 002 001 ###	900 mm / 865-895 mm	2000 mm	740 mm	Left
	471 003 001 ###	1000 mm / 965-995 mm	2000 mm	840 mm	Left
	471 001 002 ###	800 mm / 765-795 mm	2000 mm	640 mm	Right
	471 002 002 ###	900 mm / 865-895 mm	2000 mm	740 mm	Right
	471 003 002 ###	1000 mm / 965-995 mm	2000 mm	840 mm	Right
Custom made	Width	Height	Entry	Left/Right	
471 009 001 ###	500-1000 mm	1500 - 2000 mm	Max. 840mm	Left	
471 009 002 ###	500-1000 mm	1500 - 2000 mm	Max. 840mm	Right	
Made to measure	made to measure per mm, max width 1000m, max height 2000mm				
Glass beveling	Not possible				
Glass	Glass specifications	8 mm toughened safety glass (norm NBN 23-002, klasse NBN EN 12600)			
	Type of glass	101 Transparent	107 Green	118 Black	121 Mirror
		102 Opal mat	108 Blue	119 Opal white	
		104 Extra transparent	114 Crepi	120 Opal Black	
		105 Bronze	115 Cathedral	125 Opal bronze	
Glass treatments		106 Gris	116 Ribble	126 Opal gris	
		109 Aquaclean	110 Zone intime	111 Zone à la carte	
		112 Print			
	Reversible	This door is reversible in Clear Transparent version 101.			
Finishing	Characteristics	1 hinge profile / 1 strike profile			
	Finishing ###	Shiny (011), Black matte (099), White matte (088)			
	Stabilisation bar	Not possible			
Service	Checking of measurements	Possible at an additional cost			
	Mounting	Possible at an additional cost			
	Mounting guidelines	Available			
Technical details	Advice	Adjustability 30 mm on the hinge side			
		A profile or glass must always be placed on the tiling. Otherwise, this can lead to issues with waterproofing.			
		When preparing, take into account the size and weight of the glass. Can the glass be brought into and installed in the bathroom.			

471 Focus

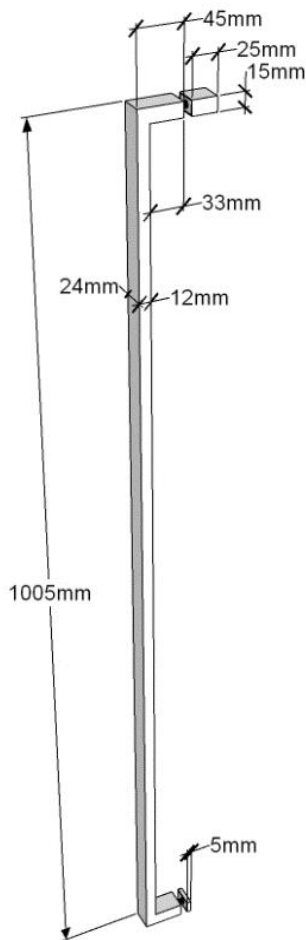
Strike profile



water barrier profile

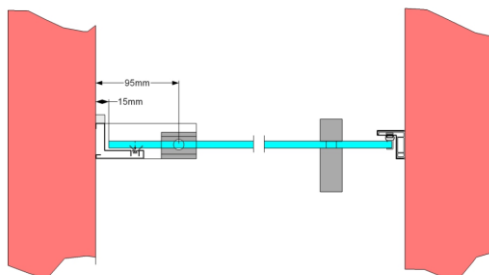


Handle

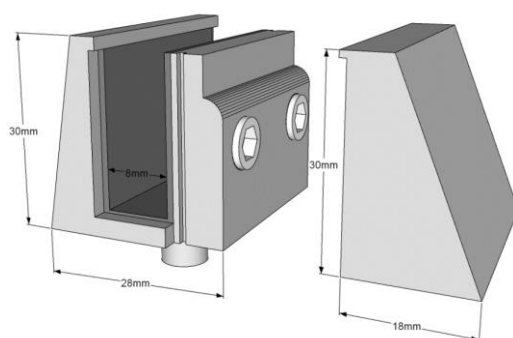


471 Focus

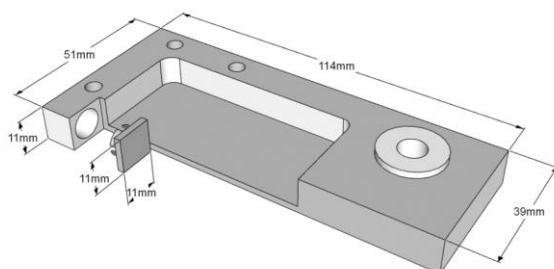
Pivot point



Pivot part of the glass



Pivot part on the ground



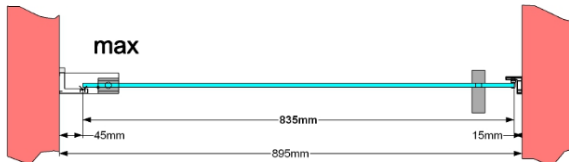
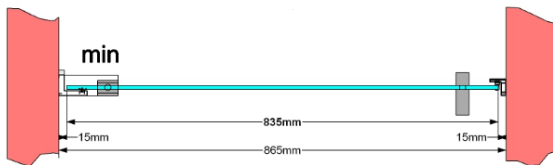
Measurements for reference

471 Focus - niche

471.001



471.002



471.003

