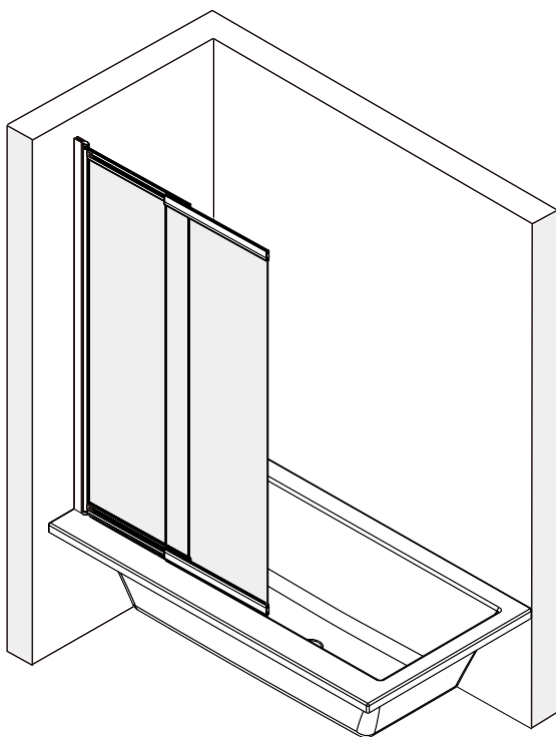
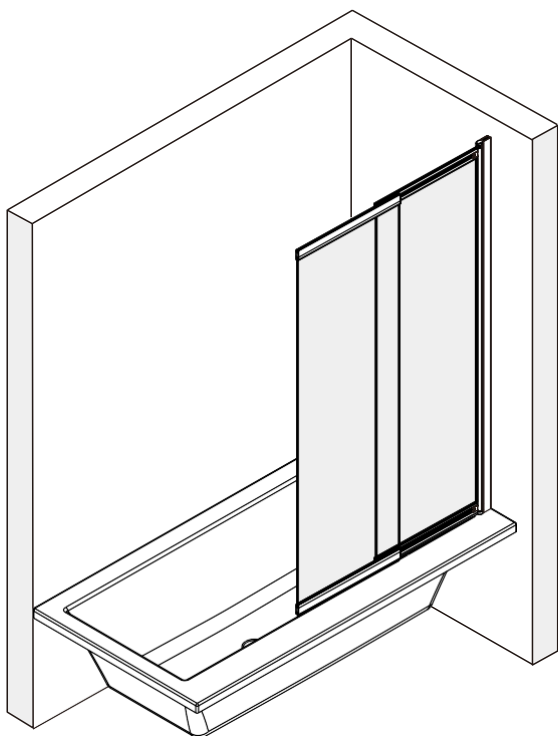


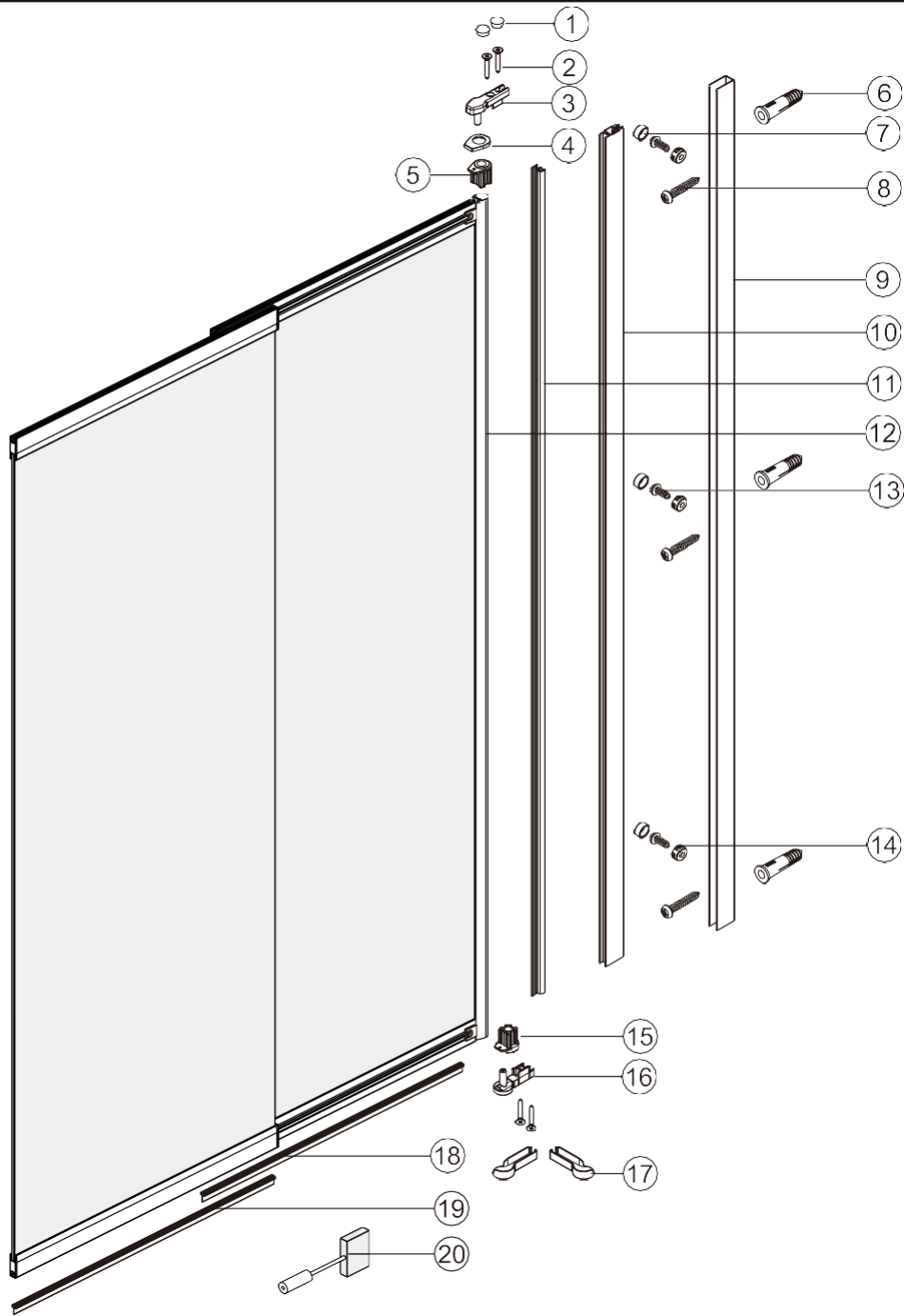
## BATH XOWER X25



**ac**  
**AQUA CONCEPT**®

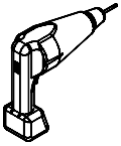
Schaarbeekstraat 34  
9120 Melsele  
Belgium  
t. 00 32 3 296 03 03  
info@aquaconcept.eu  
www.aquaconcept.eu

# CONTENU / PARTS LIST



NO	Qty	Description	NO	Qty	Description
1	2	Screw cover for hole	12	2	Clear door assembly
2	4	Screw ST3.5X30	13	3	Screw ST4X13
3	1	Lifting top pivot base	14	3	Chrome Screw cap
4	1	Cap for pivot sleeve	15	1	Sleeve for bottom pivot
5	1	Sleeve for top pivot	16	1	Lifting bottom pivot base
6	3	Wall anchor	17	2	Cap for bottom pivot L/R
7	3	Chrome Screw cap	18	1	Bottom gasket fix door
8	3	Screw 8 X 1 1/2 "	19	1	Bottom gasket sliding door
9	1	Chrome Wall Chanel	20	1	Cleaning tool
10	1	Pivot chanel			
11	1	Gasket for pivot			

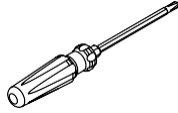
# OUTILS ET MATERIAUX REQUIS/TOOLS AND MATERIALS REQUIRED



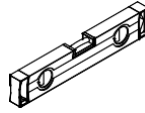
PERCEUSE  
DRILL



VIS  
SCREWS



TOURNEVIS  
SCREWDR



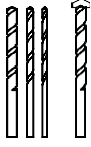
NIVEAU  
LEVEL



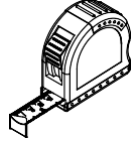
COUTEAU DE PRECISION  
PRECISION KNIFE



SILICONE  
SILICONE



FORETS: 1/8", 3/16" ET 1/4"  
\*FORET À MAÇONNERIE  
DRILL BITS: 1/8", 3/16" ET 1/4"  
\*MASONRY DRILL BIT



RUBAN À MESURER  
MEASURING TAPE



ÉQUERRE  
SET SQUARE



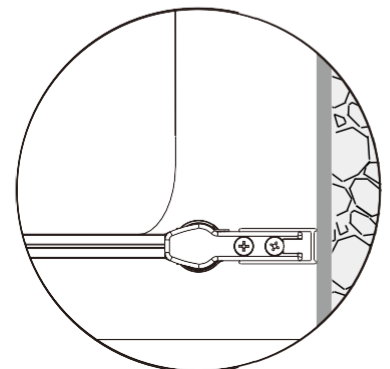
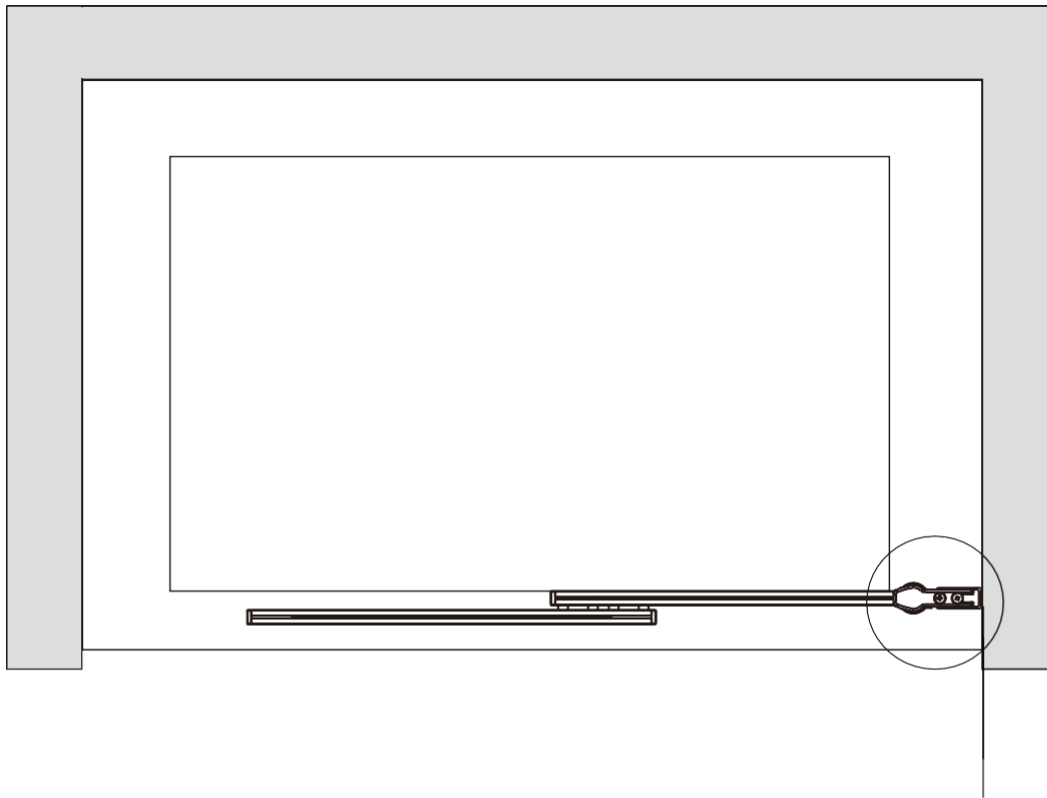
CRAYON  
PENCIL



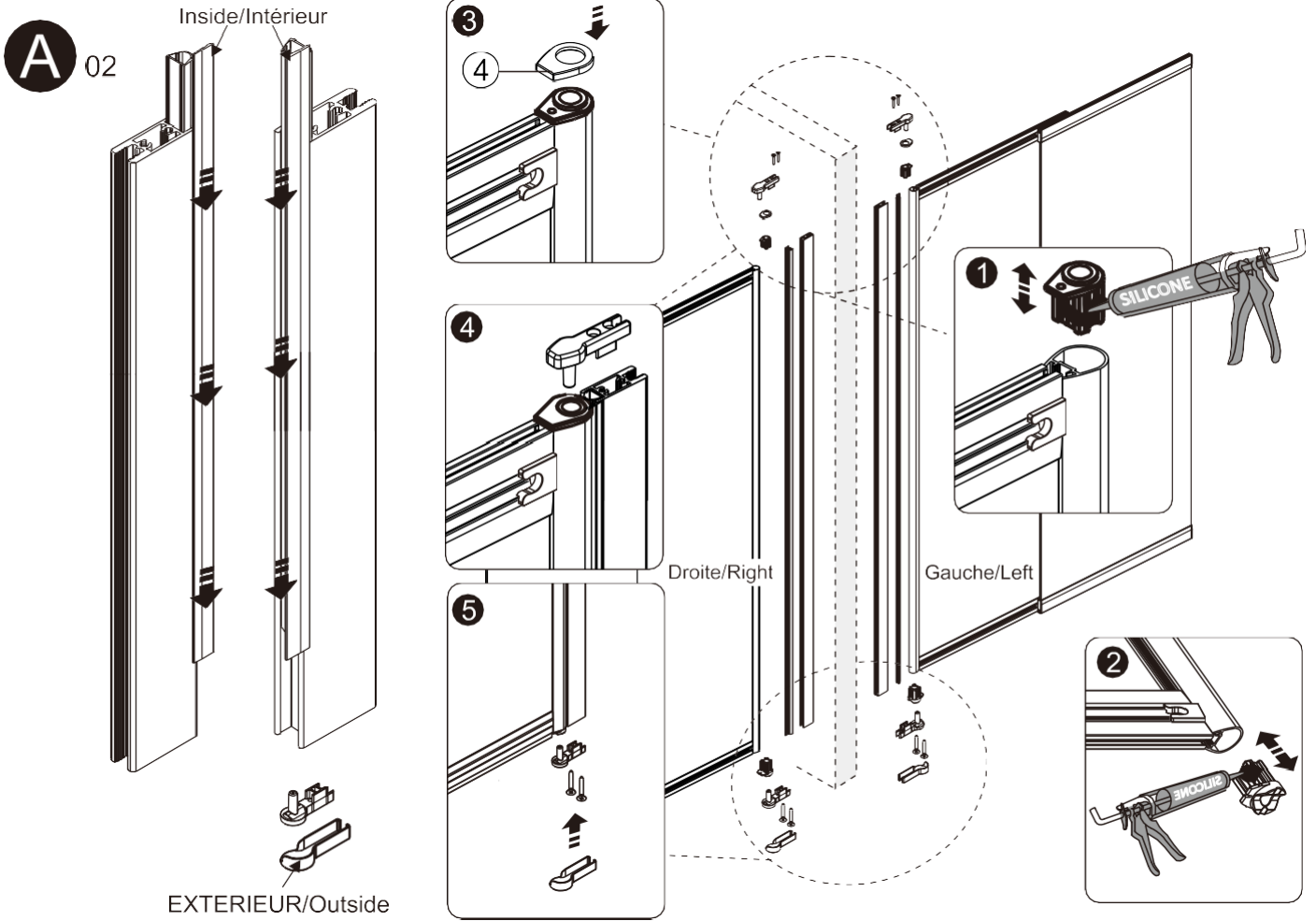
MAILLET  
MALLET

# INSTALLATION EXTRUSION MURALE/WALL JAMB INSTALLATION

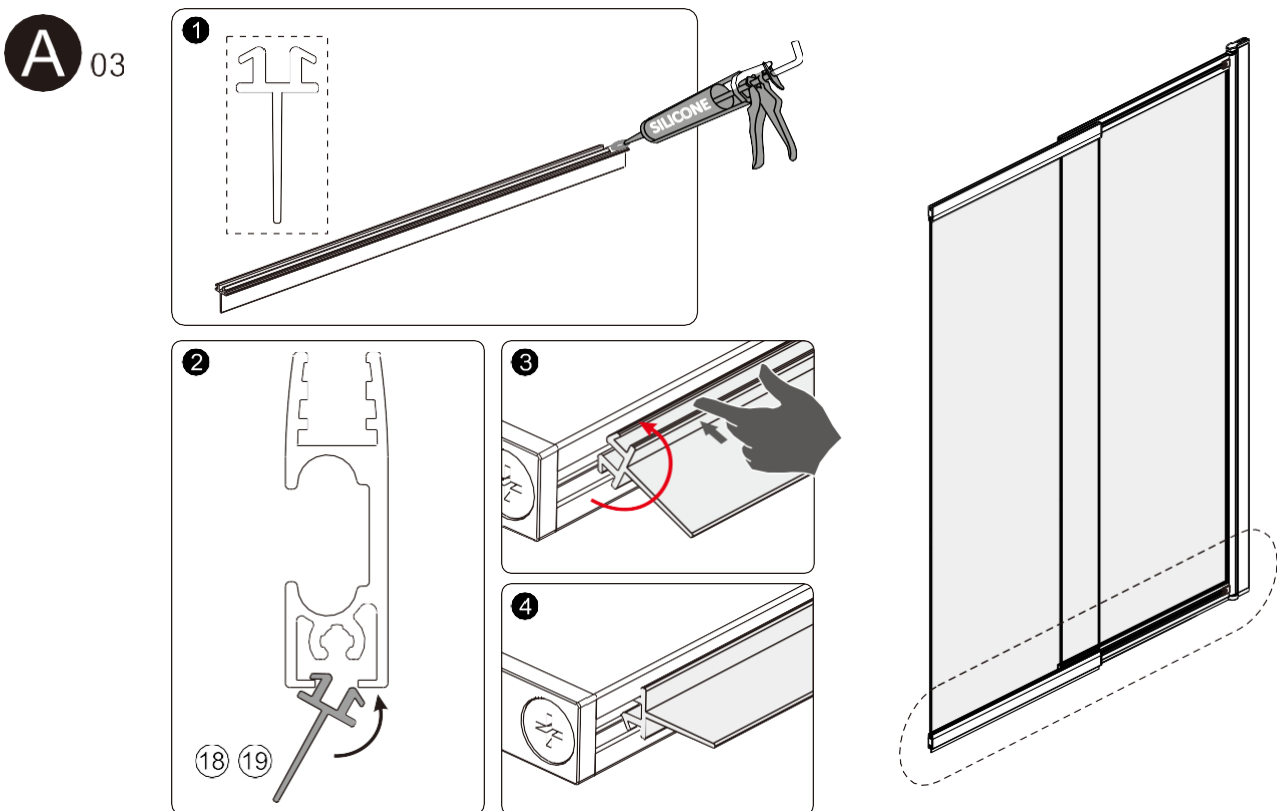
**A** 01



SUITE/CONTINUED

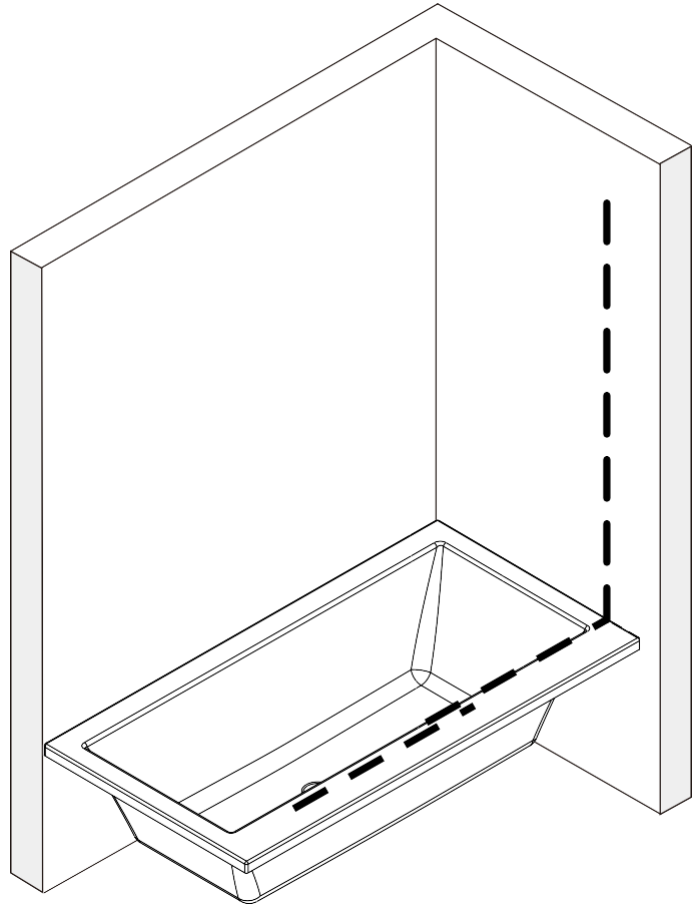
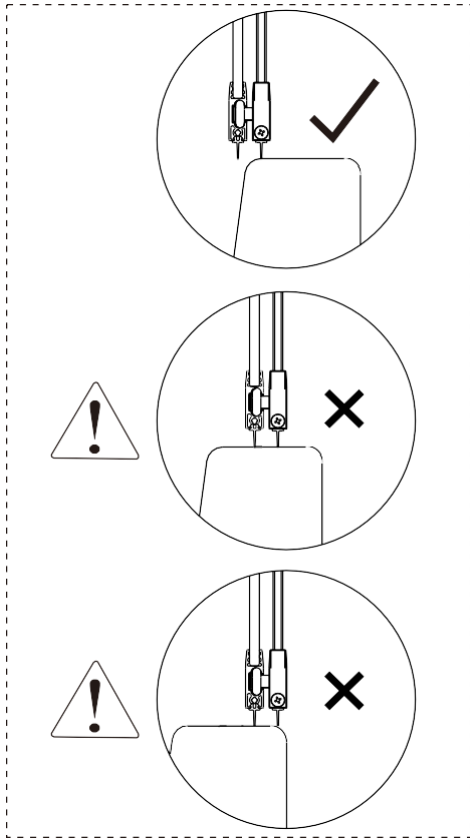


SUITE/CONTINUED



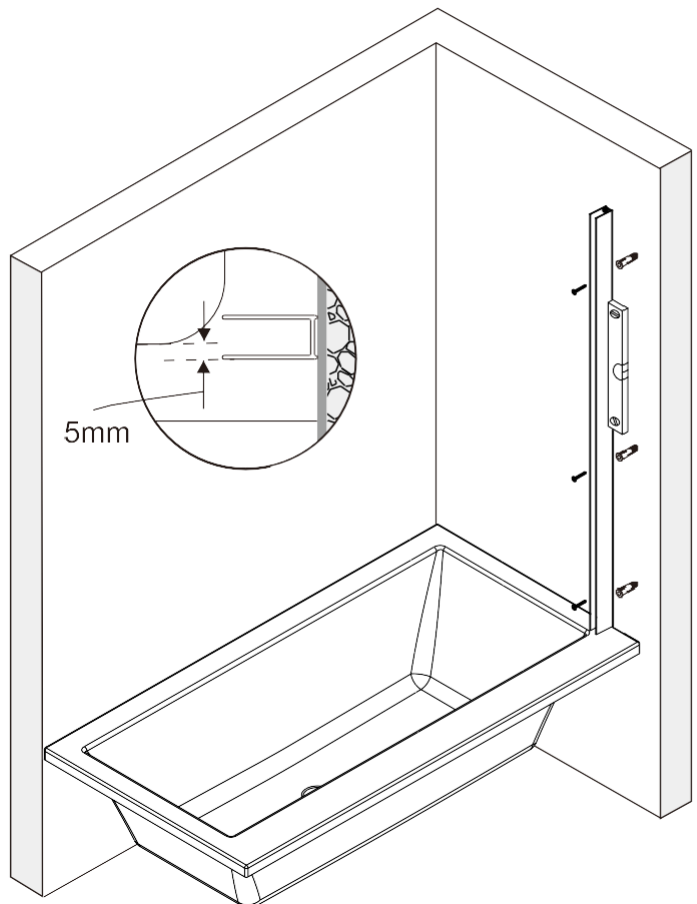
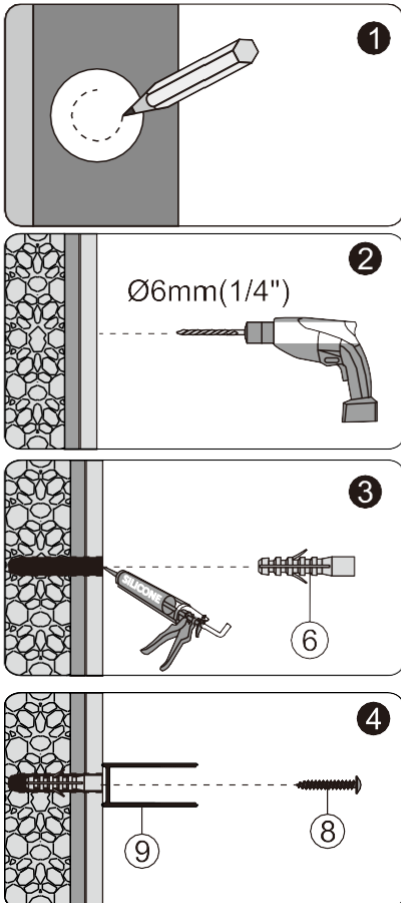
SUITE/CONTINUED

**A** 04



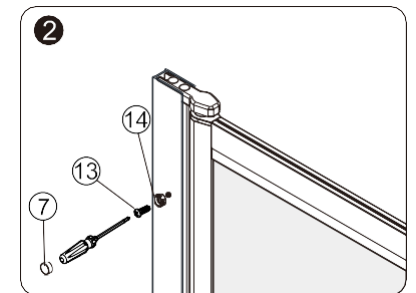
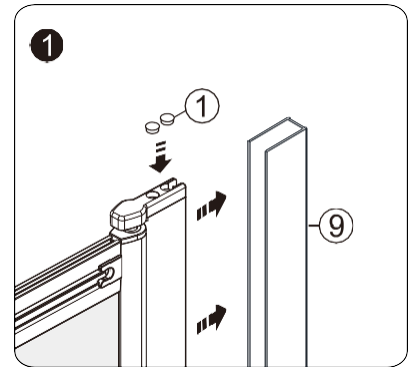
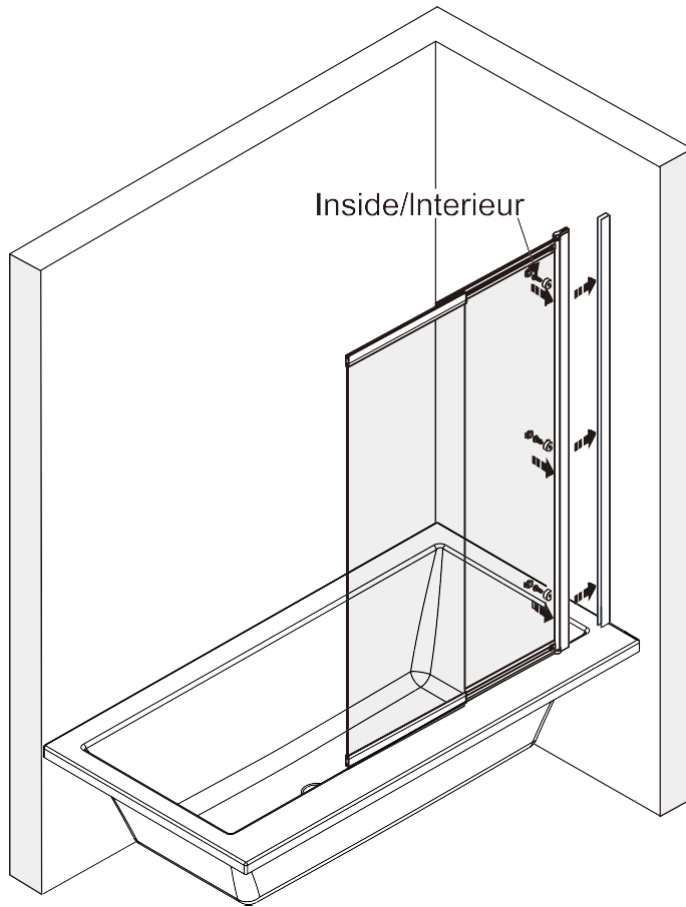
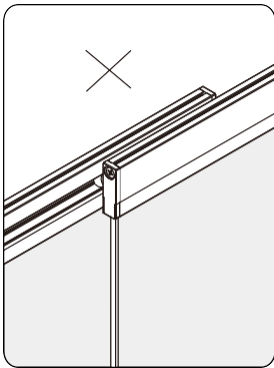
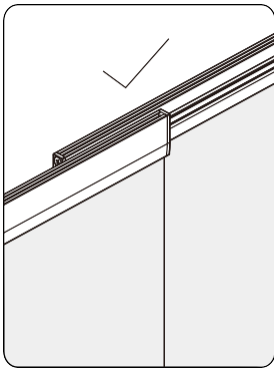
SUITE/CONTINUED

**A** 05



SUITE/CONTINUED

A 06



SUITE/CONTINUED

A 07

